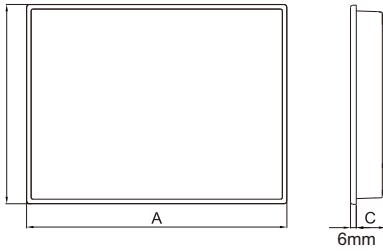


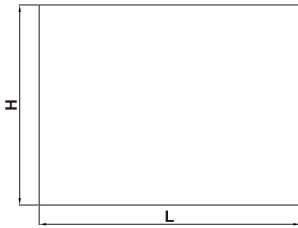
MA2 Series HMI Panels/ MA2系列人機介面

Installation Drawing / 安裝示意圖

Outlet Dimension / 外觀尺寸



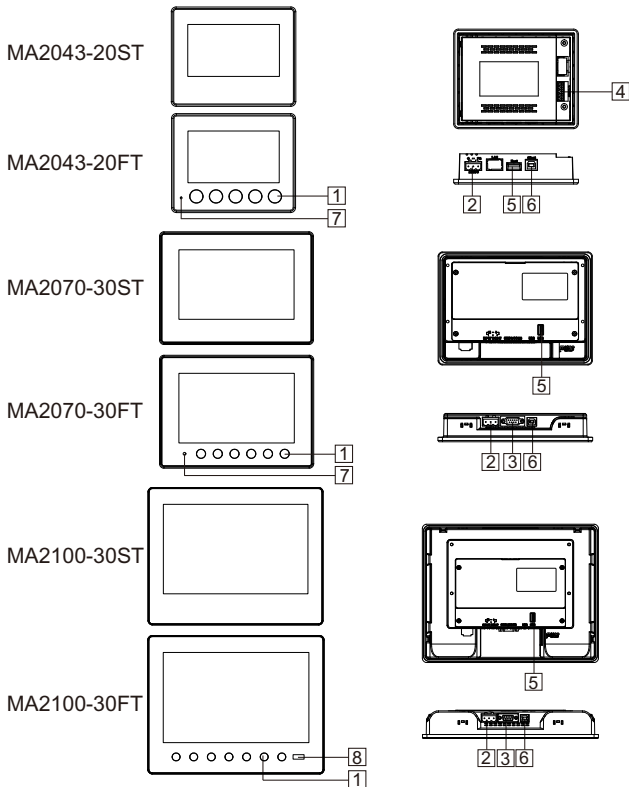
Cut Out Dimension / 開孔尺寸



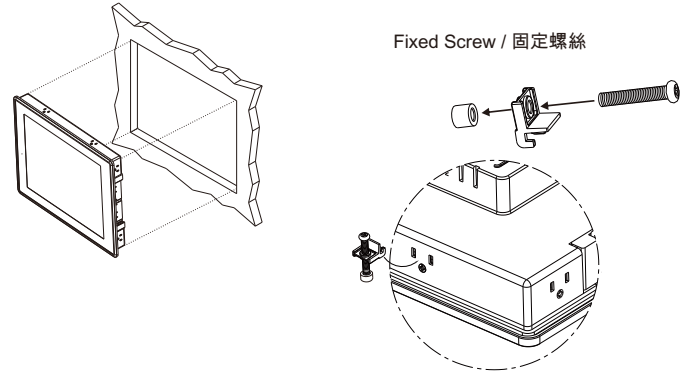
Model	A	B	C*	L	H
MA2043-20ST/FT	129mm/5.08"	103mm/4.06"	26.3mm/1.04"	119mm/4.69"	93mm/3.66"
MA2070-30ST/FT	203.5mm/8.01"	149mm/5.87"	33mm/1.3"	192mm/7.56"	138.5mm/5.45"
MA2100-30ST/FT	270.1mm/10.63"	212.1mm/8.35"	42.5mm/1.67"	259.5mm/10.22"	201.5mm/7.93"

*Including COM2 5Pin-Terminal(MA2043 is optional)
包含 COM2 5Pin端子(MA2043為選購)

Function View / 功能配置圖



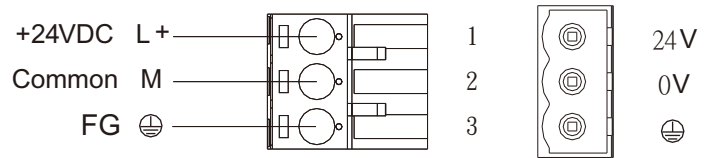
- 1 Front Function Key / 前置功能鍵
- 2 Power connector / 電源端子
- 3 COM1&2&3 9Pin Female / COM1&2&3 9Pin 母座
- 4 COM1&3 5Pin Terminal / COM1&3 5Pin 端子接頭
- 5 USB Host / USB 主接口
- 6 USB Client / USB 從接口
- 7 Power LED / 電源燈
- 8 Front USB Connector(Optional) / 前置USB接口(選購)



⚠ Screw each fixing screw until the bezel corner gets in contact with the panel.
使用固定螺絲固定時請注意不要鎖太緊，以避免壓迫造成其他問題

Power Supply / 電源供應

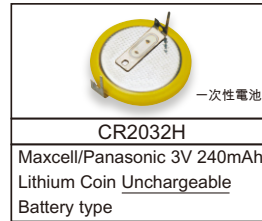
⚠ Powered by a Low Voltage / Limited Energy power source.
以低電壓提供電力 / 限制能源電源



⚠ Do not open the rear cover of the panel when power is applied.
電源送電時請勿開啟後殼

⚠ Be sure that the power supply has enough power capacity for the operation of the equipment.
送電時請確定電源設備的電源能力符合產品硬體規範

Dispose of batteries / 電池處理



⚠ Dispose of batteries according to local regulations.
廢棄電池的處理請依據使用者所在地區之規範辦理廢棄電池處理方式。

Connections / 腳位圖

Model	Terminal Type	Pin	Description
MA2043	COM1 & COM3 (5 Pin Terminal) / (5 Pin 端子接頭)	1	RS422 TXD+ / RS485 + (COM2)
		2	RS232 RXD (COM1)
MA2070 / MA2100	COM1 & COM2 & COM3 (DB-9-Female) / (DB-9 母座)	3	RS232 TXD (COM1)
		4	RS422 RXD+ (COM2)
		5	SG
		6	RS422 TXD- / RS485- (COM2)
		7	RS485 - (COM3)
		8	RS485 + (COM3)
		9	RS422 RXD- (COM2)

The products have been designed for use in an industrial environment in compliance with the 2014/30/EU directive.
本產品適用於工業環境並符合2014/30/EU標準

The products have been designed in compliance with:
本產品符合以下標準：

- ☑ EN 61000-6-4: 2007 + A1: 2011
- ☑ EN 61000-3-2: 2014
- ☑ EN 61000-3-3: 2013
- ☑ EN 61000-6-2: 2005 / AC: 2005
- IEC 61000-4-2: 2008; IEC 61000-4-3: 2006 + A1: 2007 + A2: 2010;
- IEC 61000-4-4: 2012; IEC 61000-4-5: 2014; IEC 61000-4-6: 2013;
- IEC 61000-4-8: 2009; IEC 61000-4-11: 2004

The installation of these devices into the residential, commercial and light-industrial environments is allowed only in the case that special measures are taken in order to get the conformity to IEC-61000-6-3.

本產品若要安裝於住宅、商業及輕工業的環境時，必須加測特殊檢驗以符合IEC-61000-6-3
Reproduction of the contents of this copyrighted document, in whole or part without written permission of Maxthermo is prohibited.

本文件內容版權為極大國際所有，非經本公司同意，請勿自行重製、拷貝或修正文件內容